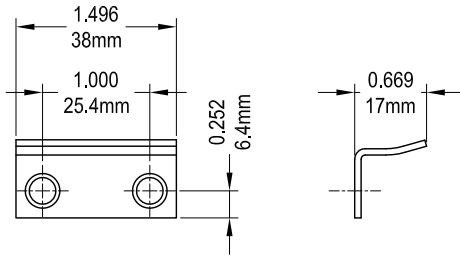
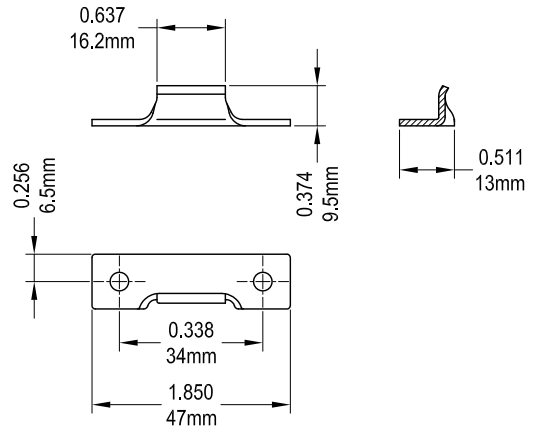


# Snubber

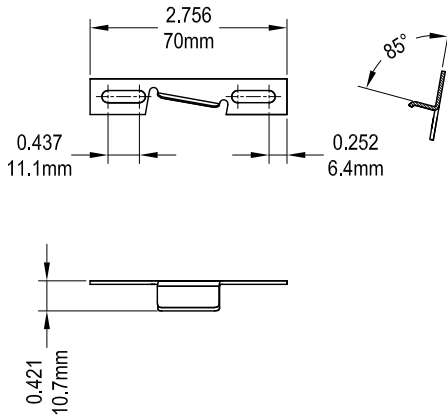
19091 / 7091



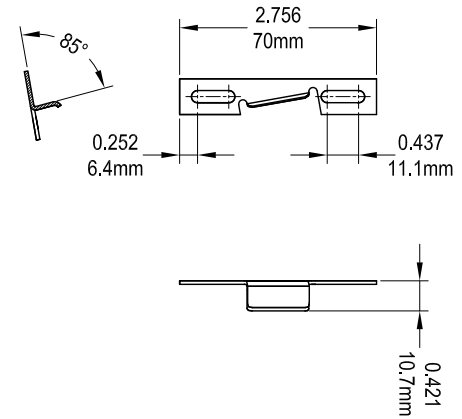
19092 / 7092



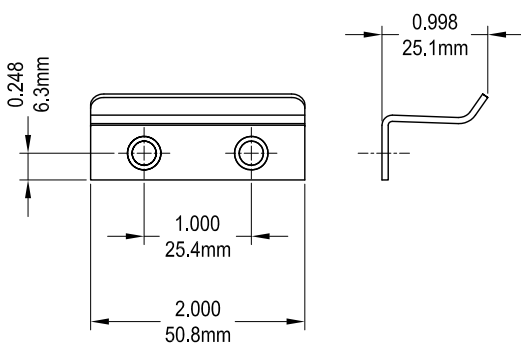
190001



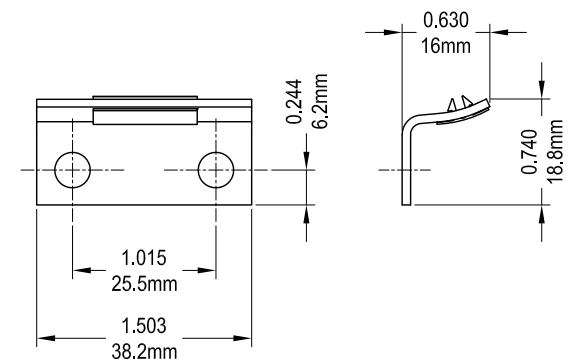
190002



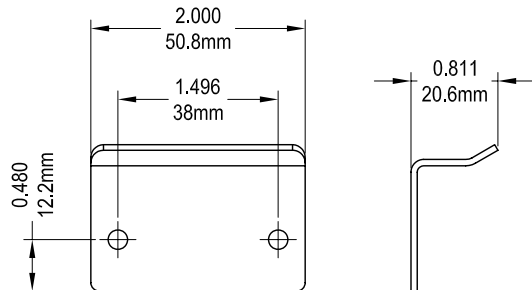
190102 / 90102 / 70102



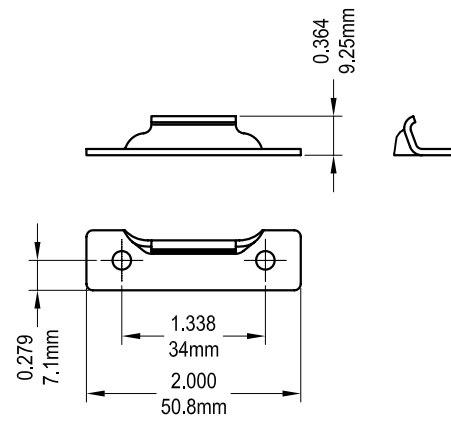
190010



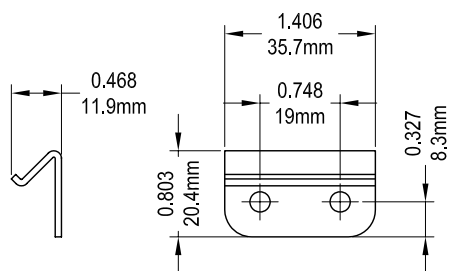
19093 / 7093



190011 / 70011



19097 / 7097



19098 / 7098

