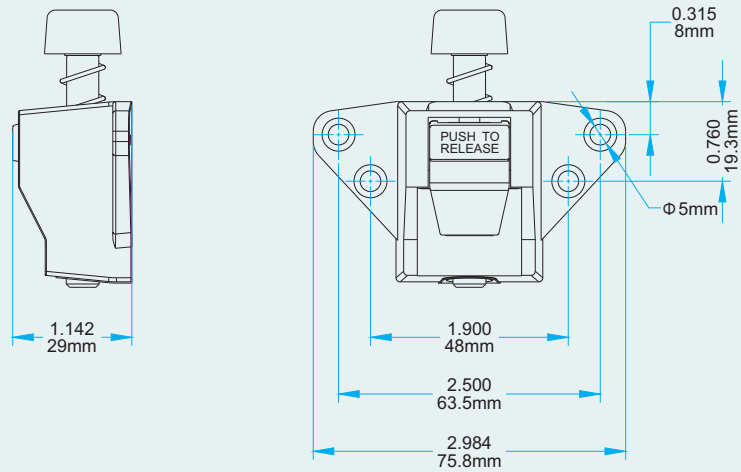
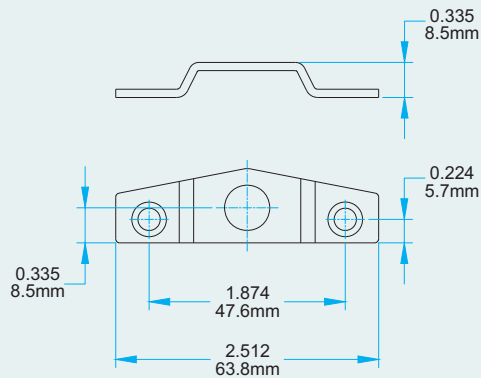


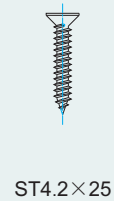
Winged Base Foot Lock Kit



Foot Lock Keepers



Pan Head Screws



Part Number: 132-531

Includes

- (1) Winged Baes Foot Lock Kit
- (2) Foot Lock Keepers
- (8) ST4.2×25 Pan Head Screws