

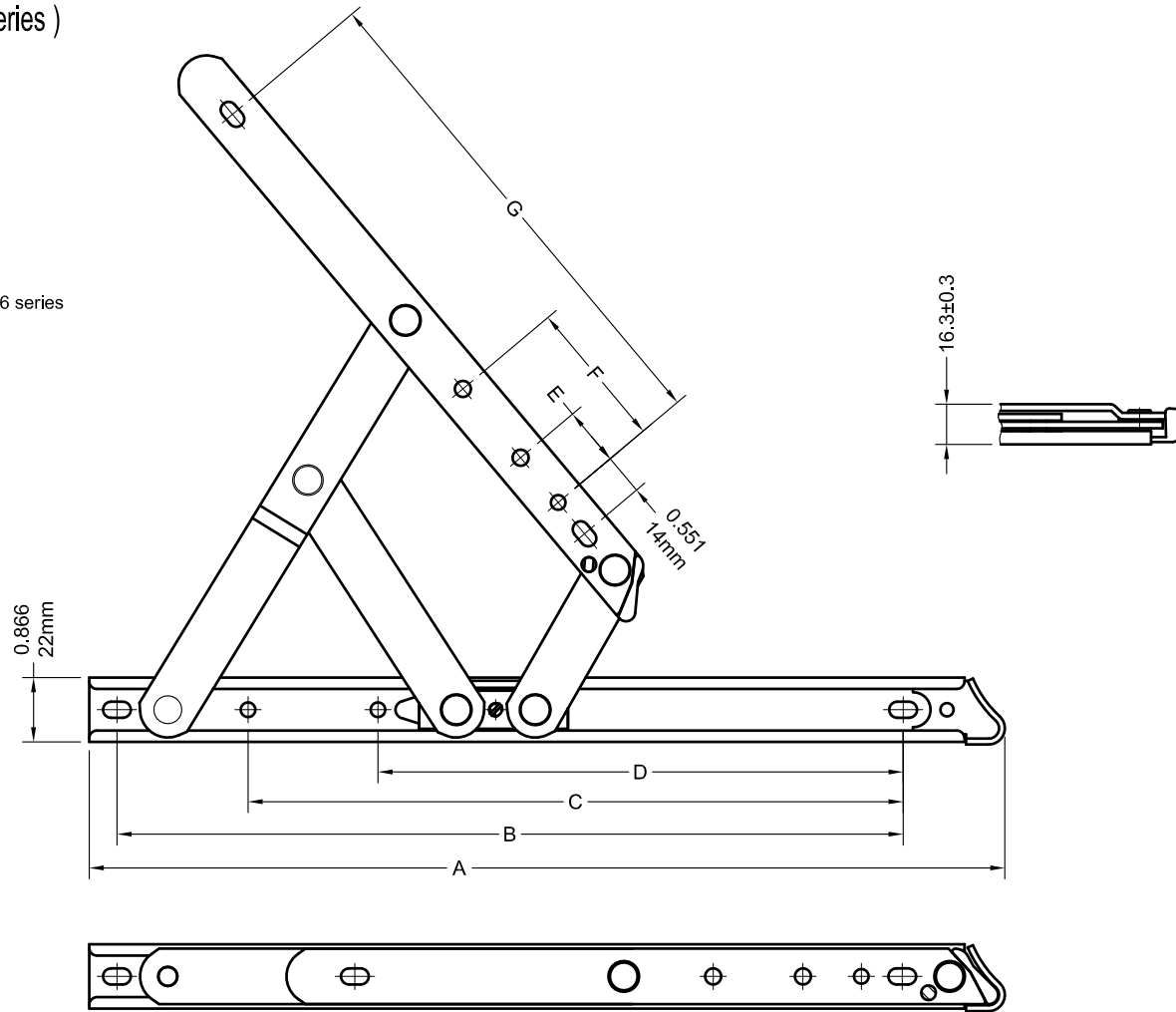
HEAVY DUTY 4-BAR HINGES (016SS Series)

Note

1. 77010---- 304 SST material four bar hinge, length 10"
2. 016---- Four bar hinge series
3. HD---- Heavy duty

Ordering example

77010-016HD : 10" 304 SST four bar hinge, heavy duty, 016 series



Left Hand Shown

PART NUMBER		A	B	C	D	E	F	G	DEGREE OF OPENING	CASEMENT OR AWNING
RH	LH									
77010-016HD-00	77010-016HD-01	10.327" (262.3mm)	8.583" (218.0mm)	N/A	7.110 (180.6mm)	N/A	0.779 (19.8mm)	5.858 (148.8mm)	80°	Casement Hinge
77012-016HD-00	77012-016HD-01	12.335" (313.3mm)	10.590" (269.0mm)	N/A	7.055 (179.2mm)	N/A	1.996 (50.7mm)	6.823 (173.3mm)	50°	Casement Hinge
77016-016HD-00	77016-016HD-01	16.331" (414.8mm)	14.587" (370.5mm)	N/A	8.929 (226.8mm)	N/A	4.161 (105.7mm)	8.900 (225.8mm)	50°	Casement Hinge
77022-016HD-00	77022-016HD-01	22.354" (567.8mm)	20.610" (523.5mm)	18.035 (458.1mm)	10.276 (261.0mm)	1.996 (50.7mm)	7.453 (189.3mm)	11.842 (300.8mm)	45°	Casement Hinge

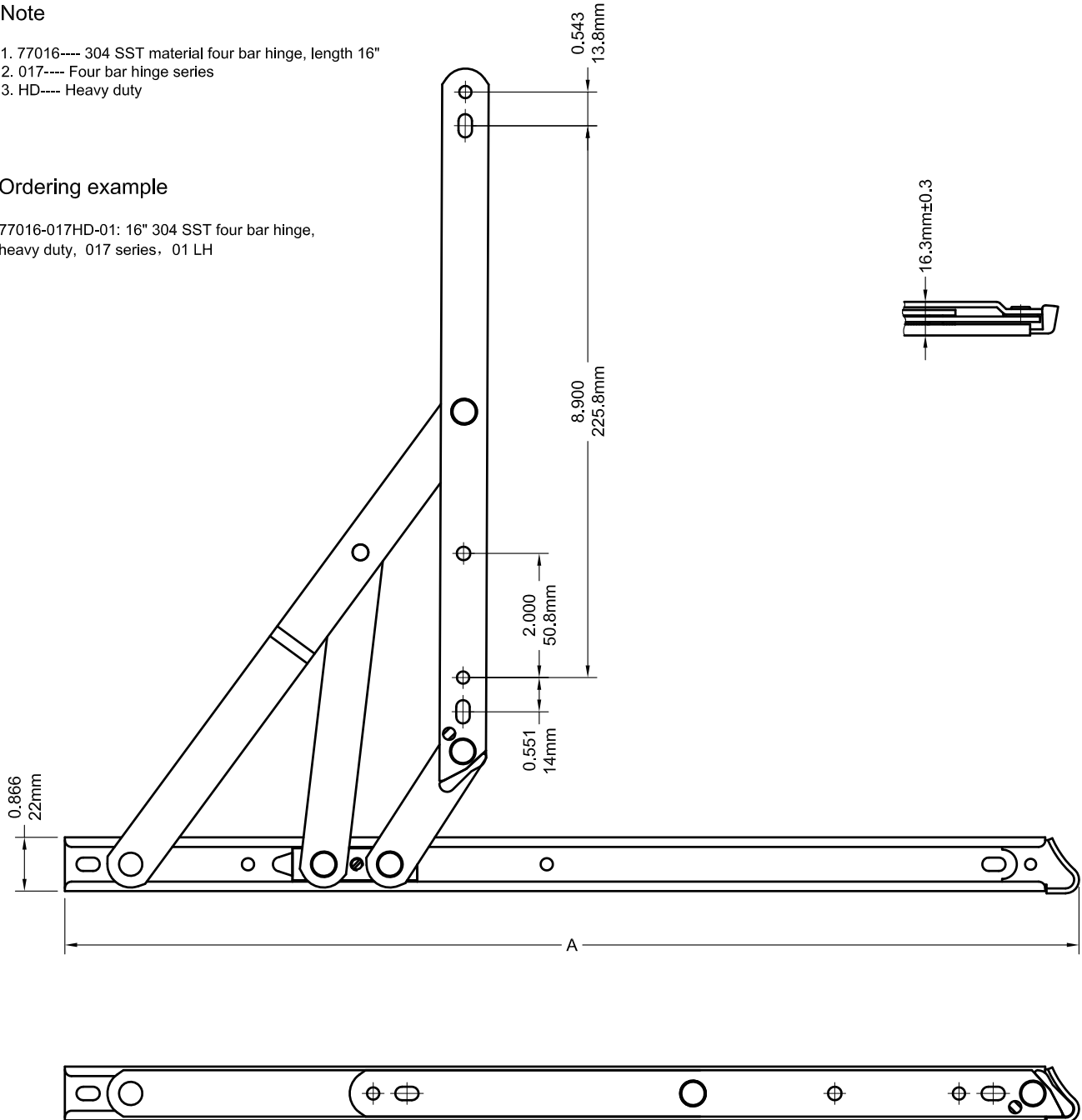
HEAVY DUTY (90°) CASEMENT HINGE (017SS Series)

Note

1. 77016---- 304 SST material four bar hinge, length 16"
2. 017---- Four bar hinge series
3. HD---- Heavy duty

Ordering example

77016-017HD-01: 16" 304 SST four bar hinge,
heavy duty, 017 series, 01 LH



PART NUMBER		A	DEGREE OF OPENING	CASEMENT OR AWNING
RH	LH			
77016-017HD-00	77016-017HD-01	16.331" (414.8mm)	90°	Casement Hinge