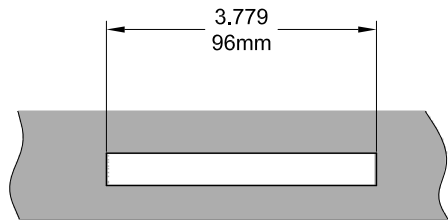
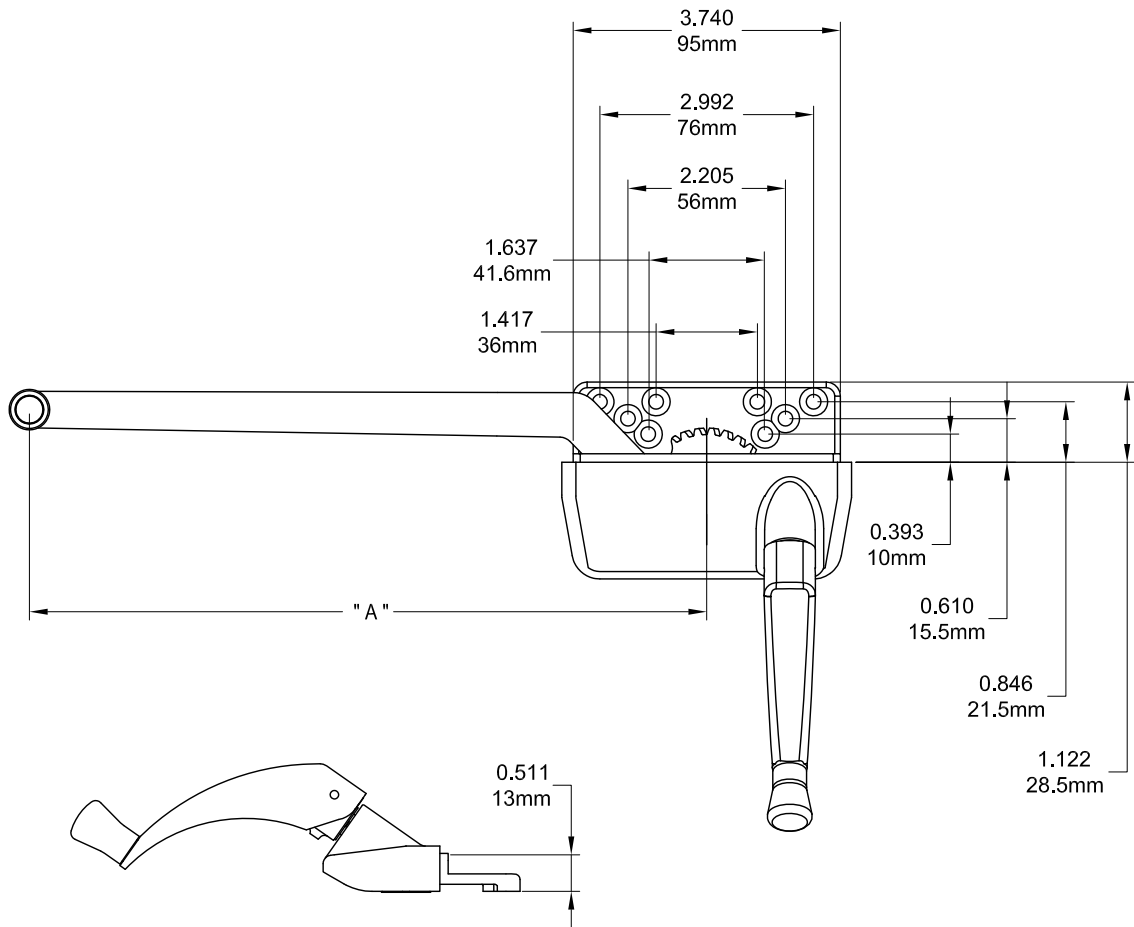
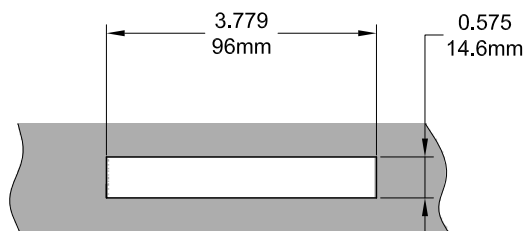
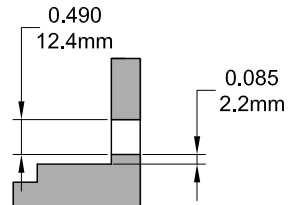


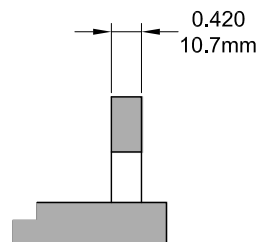
Traditional Case Single Arm Operator

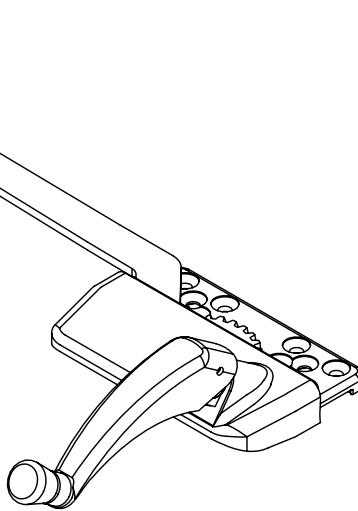


Profile Cut Out (PVC Profile)

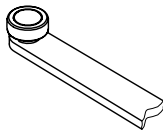


Profile Cut Out (Wood Profile)

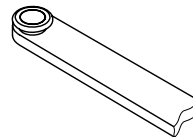




Product Name	Part Number	" A "
Traditional Case Single Arm Operator 7.5" , RH	132104 - RZ75X	7.5 "
Traditional Case Single Arm Operator 7.5" , LH	132104 - LZ75X	7.5 "
Traditional Case Single Arm Operator 9.5" , RH	132104 - RZ95X	9.5 "
Traditional Case Single Arm Operator 9.5" , LH	132104 - LZ95X	9.5 "
Traditional Case Single Arm Operator 13.5" , RH	132104 - RZ135X	13.5 "
Traditional Case Single Arm Operator 13.5" , LH	132104 - LZ135X	13.5 "



<1> Nylon Glide Shoe

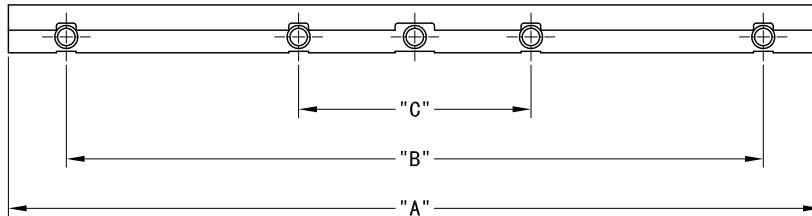
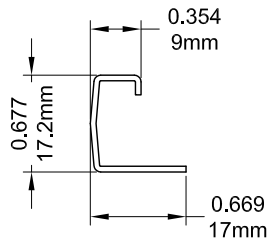


<2> SST Roller

<1> This is default, in this case, no letter attached
 <2> "X" = S Stands for SST Roller

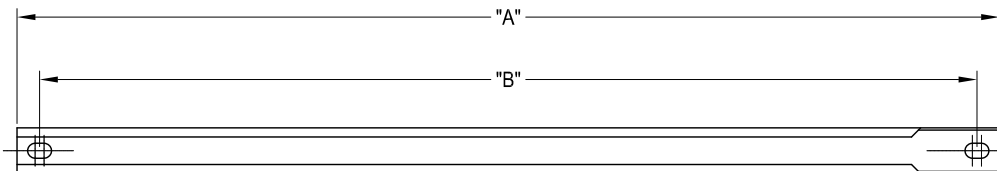
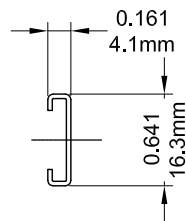
Track

<1>



Single Arm Operator Track				
Part Number	" A "	" B "	" C "	Material
70039	8.874"	6.504"	N/A	SST
190039				Steel
70040	11.378"	9.756"	3.252"	SST
190040				Steel
70041	13.752"	12.374"	4.126"	SST
190041				Steel

<2>



Single Arm Operator Track 2 Holes			
Part Number	" A "	" B "	Material
70054	9.5"	8.87"	SST
70055	13.75"	13.12"	SST
70056	17.795"	17.165"	SST