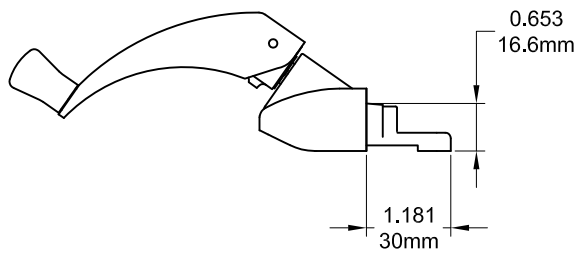
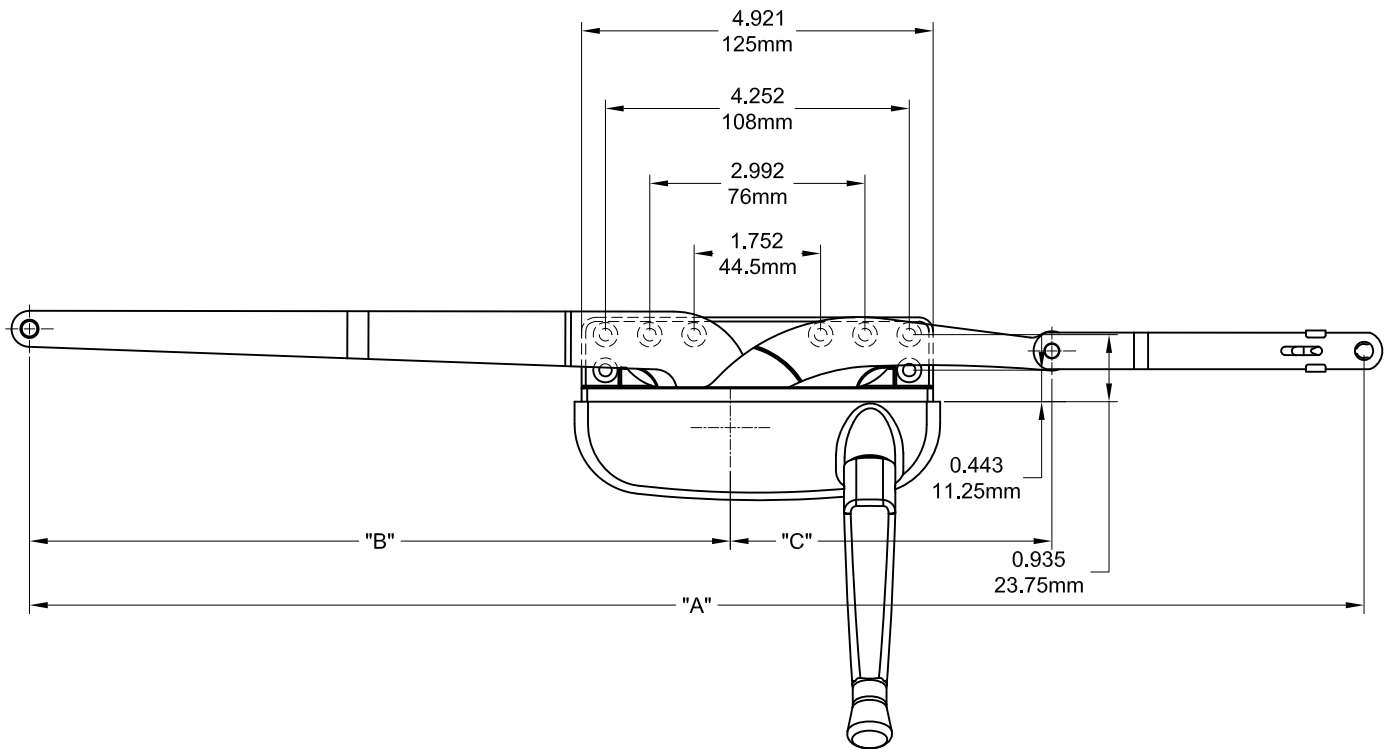
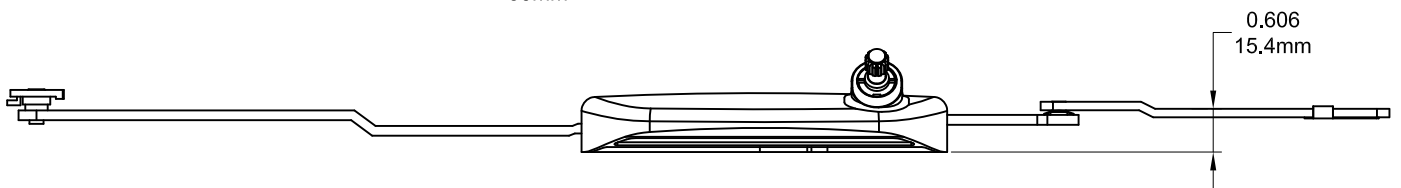


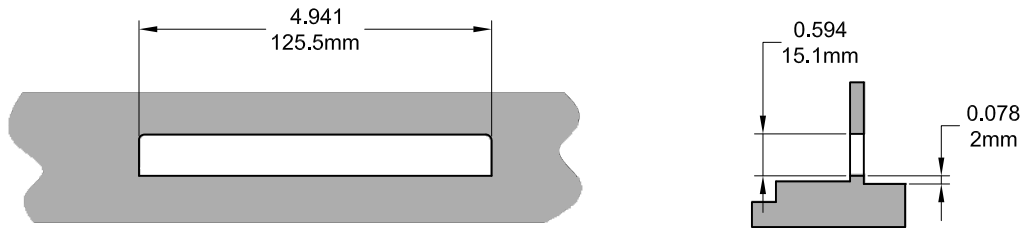
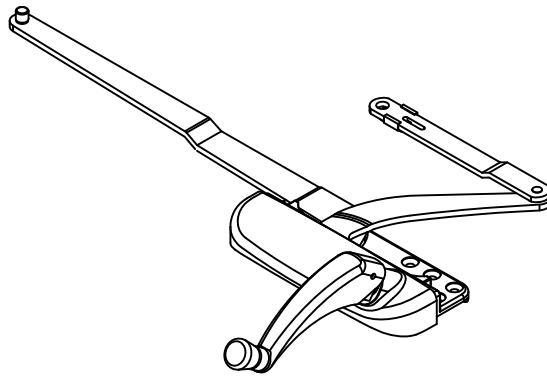
Grande Case Dual Arm Operator (Sill Mount)



LEFT HAND SHOWN

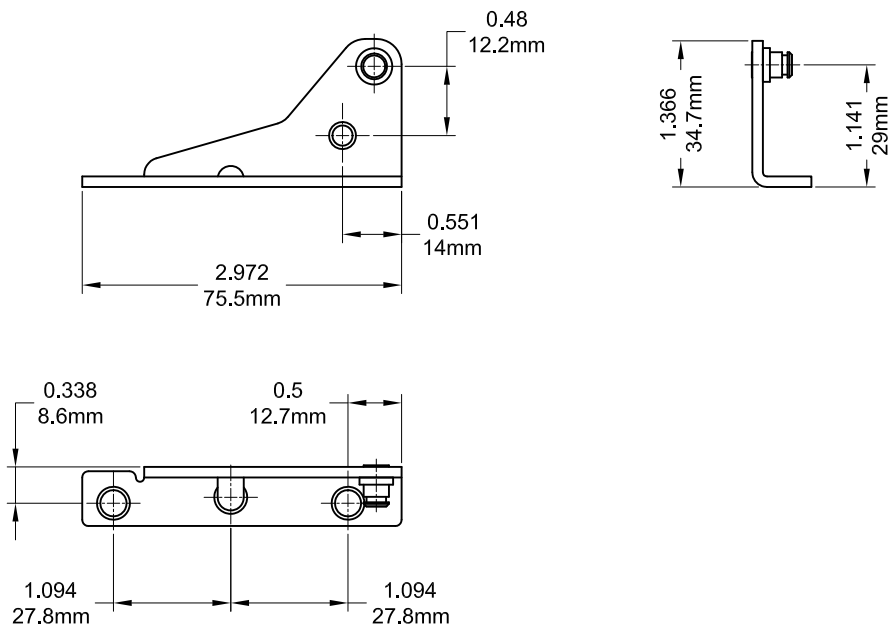


Product Name	Part Number	" A "	" B "	" C "
Grande Dual Arm Operator , RH	132626-R	18.834"	9.964"	4.5"
Grande Dual Arm Operator , LH	132626-L	18.834"	9.964"	4.5"
Grande Short Arm Dual Arm Operator , RH	132626S-R	15.945"	8.4"	3.6"
Grande Short Arm Dual Arm Operator , LH	132626S-L	15.945"	8.4"	3.6"



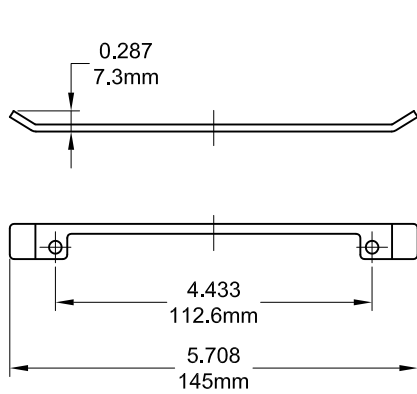
Profile Cut Out

Stud Bracket (Right Hand Shown)



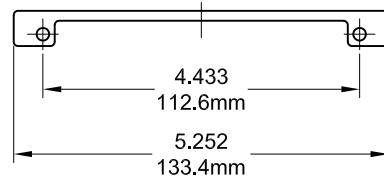
Part Number	Material	Hand
70455	SST	RH
70456	SST	LH
190455	Steel	RH
190456	Steel	LH

Back Plate

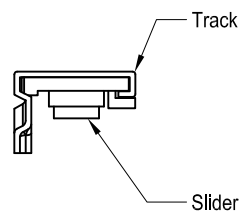
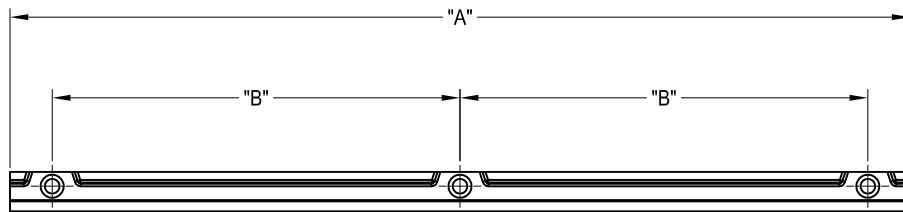
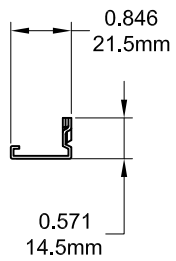


19026

19027



Track



Dual Arm Operator Track 3 Holes			
Part Number	" A "	" B "	Material
70051R1	14.449"	6.496"	SST
190051R1	14.449"	6.496"	Steel
70052R1	12.598"	5.708"	SST
190052R1	12.598"	5.708"	Steel