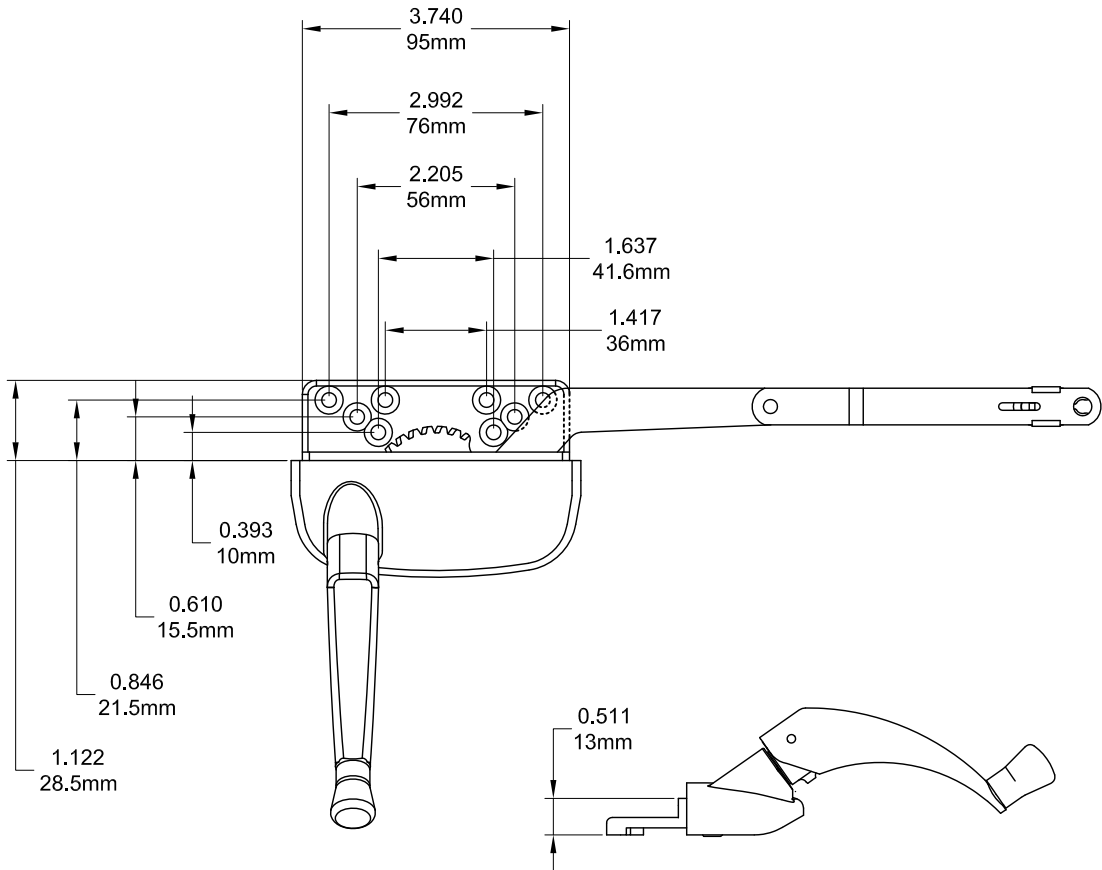
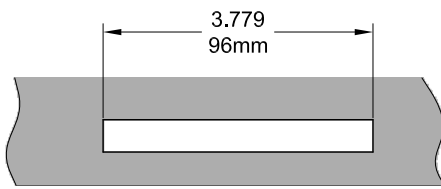
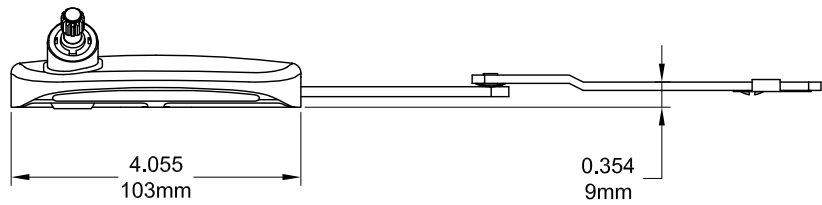


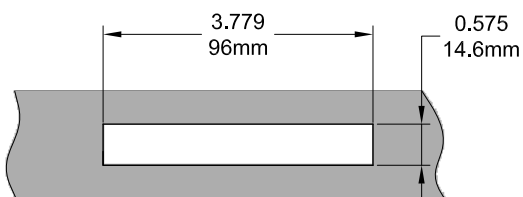
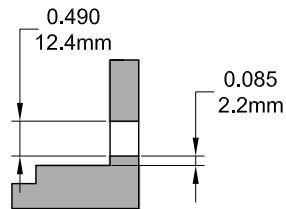
Contour Case Dyad Operator



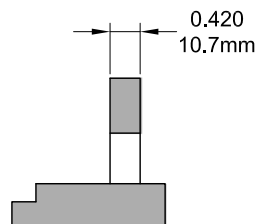
Lfet Hand Shown

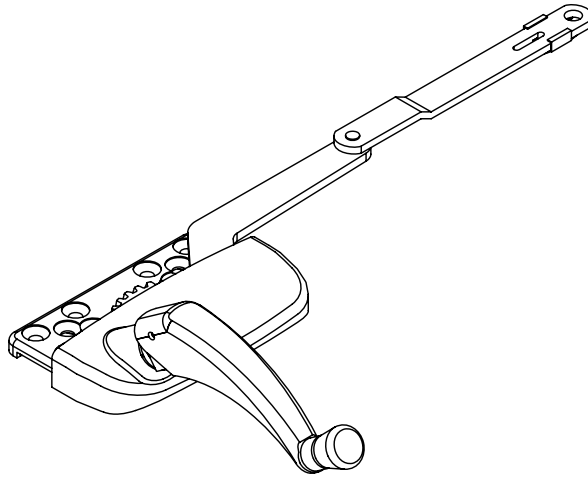


Profile Cut Out (PVC Profile)



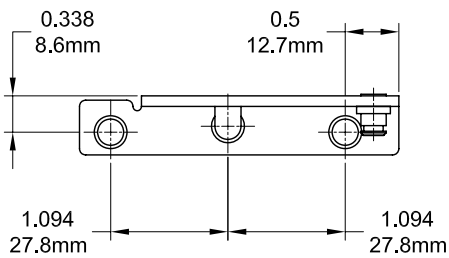
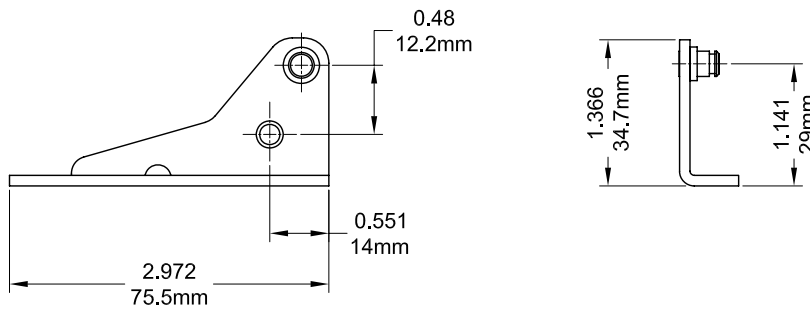
Profile Cut Out (Wood Profile)





Product Name	Part Number
Contour Case Dyad Operator , RH	132105-RQS
Contour Case Dyad Operator , LH	132105-LQS

Stud Bracket (Right Hand Shown)



Part Number	Material	Hand
70455	SST	RH
70456	SST	LH
190455	Steel	RH
190456	Steel	LH

Stud Bracket 190447(Non - Handed)

