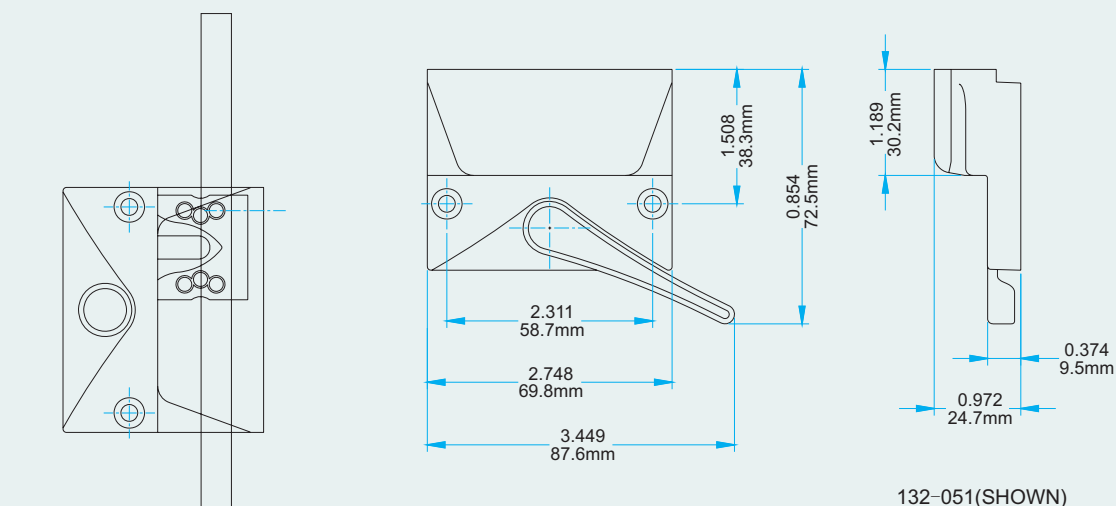


LOCKING HANDLE

Wood Window Multi & Single Point Locking System

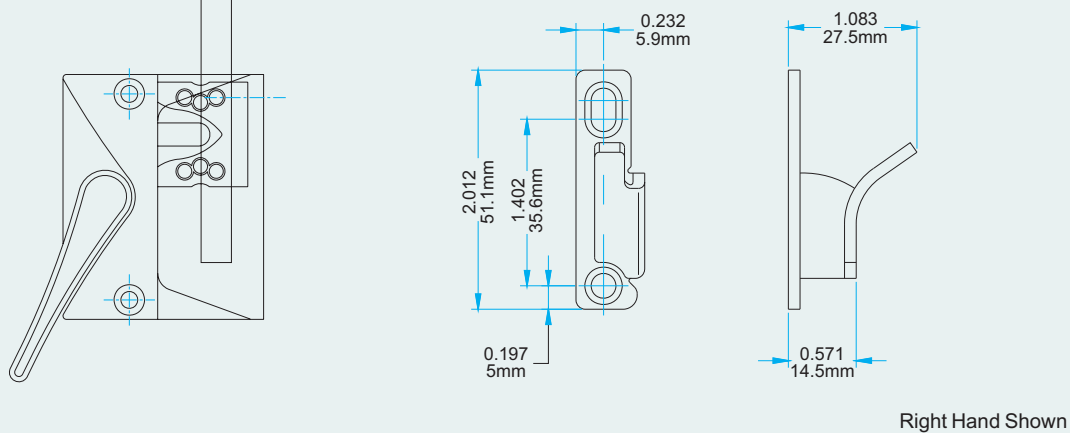
1. Locking Handle & Accessories

Sash Lock



132-051(SHOWN)

Product Name	Part Number
Primary Sash Lock	132-051
Secondary Sash Lock	132-052

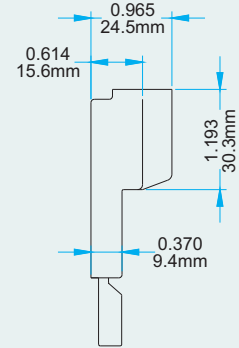
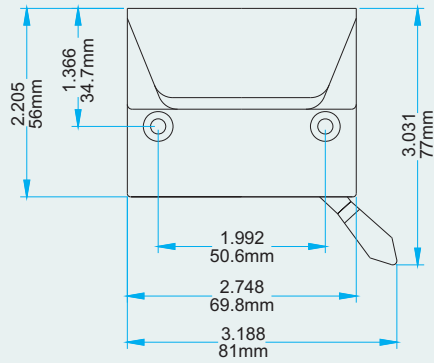
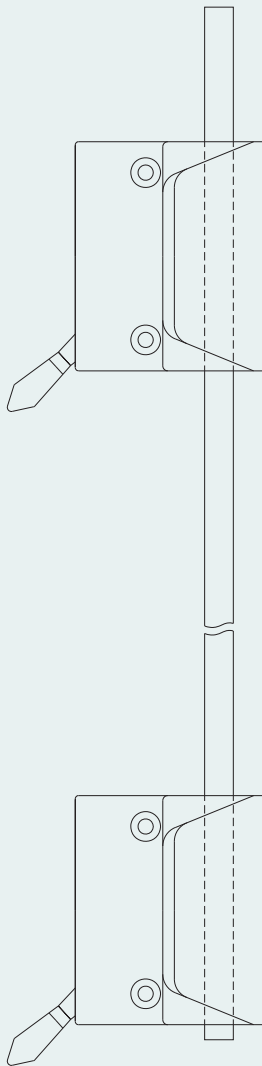


Right Hand Shown

Product Name	Material	Hand
19028	Steel	LH
19029	Steel	RH

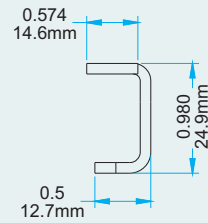
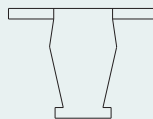
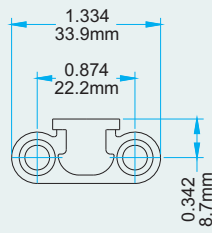


Low Profile Casement Sash Lock



Product Name	Part Number
Primary Sash Lock	132-053
Secondary Sash Lock	132-054

Multi-Point Lock Keeper

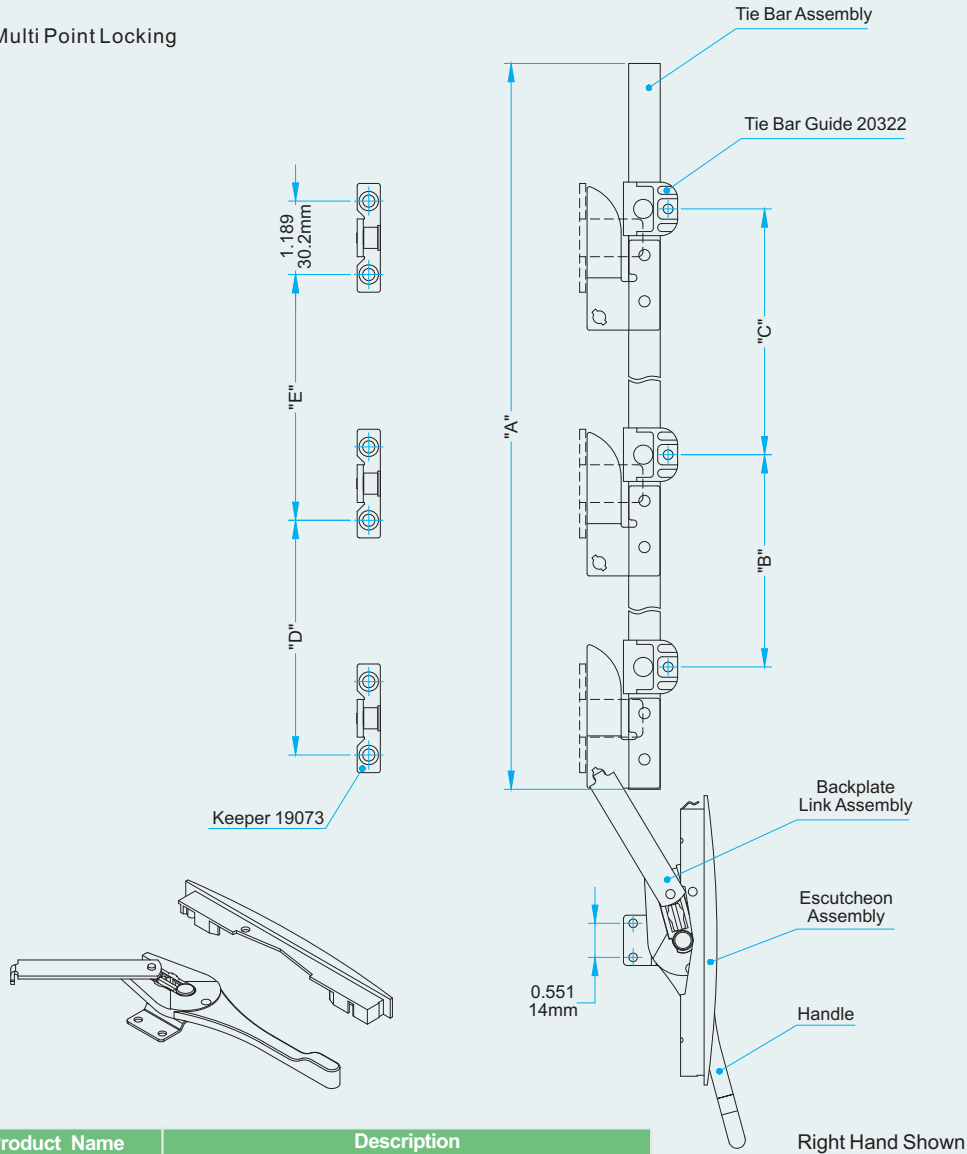


Product Name	Material	Hand
19058	Steel	Non

LOCKING HANDLE

Wood Window Multi & Single Point Locking System

Multi Point Locking



Product Name	Description
L3A	Escutcheon, Handle and Link Assembly
19073	Keeper(Non-Handed)
20322	Tie Bar Guide(Non-Handed)

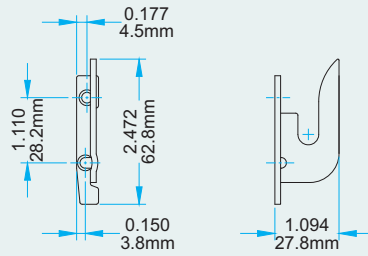
2 Point and 3 Point Tie Bar Assemblies							Keeper to Keeper		
Part Number				Dimensions			Dimensions		
LH	RH	LH	RH	"A"	"B"	"C"	"D"	"E"	
202-16-2L	202-16-2R	N/A	N/A	410.8mm[16.175"]	298.5mm[11.75"]	N/A	304.8mm[12"]	N/A	
202-22-2L	202-22-2R	N/A	N/A	563.2mm[22.175"]	450.9mm[17.75"]	N/A	457.2mm[18"]	N/A	
202-28-2L	202-28-2R	N/A	N/A	715.6mm[28.175"]	603.3mm[23.75"]	N/A	609.6mm[24"]	N/A	
202-34-2L	202-34-2R	202-34-3L	202-34-3R	868mm[34.175"]	374.7mm[14.75"]	381mm[15.00"]	381mm[15"]	381mm[15"]	
202-40-2L	202-40-2R	202-40-3L	202-40-3R	1020.4mm[40.175"]	450.9mm[17.75"]	457.2mm[18.00"]	457.2mm[18"]	457.2mm[18"]	
202-46-2L	202-46-2R	202-46-3L	202-46-3R	1173.8mm[46.175"]	527.1mm[20.75"]	533.4mm[21.00"]	533.4mm[21"]	533.4mm[21"]	
202-52-2L	202-52-2R	202-52-3L	202-52-3R	1325.2mm[52.175"]	603.3mm[23.75"]	609.6mm[24.00"]	609.6mm[24"]	609.6mm[24"]	



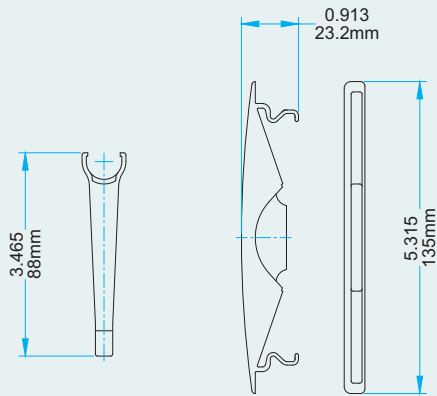
Multi Point Locking 132-524

Casement Application with Flange Keeper

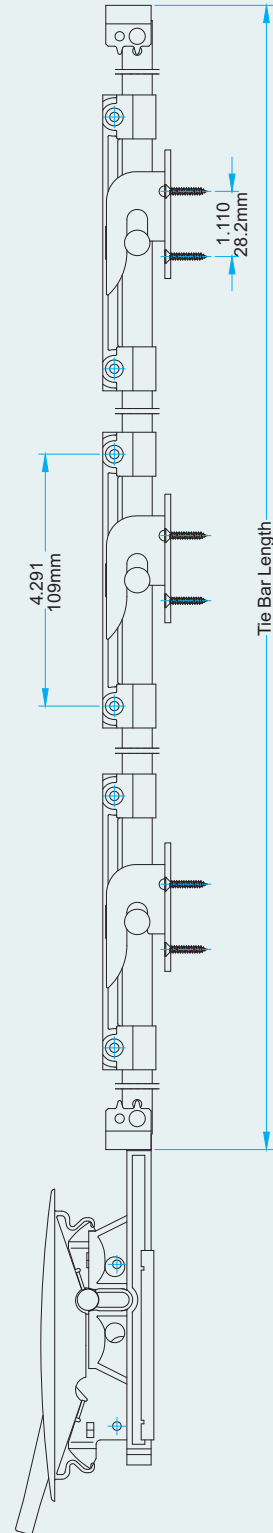
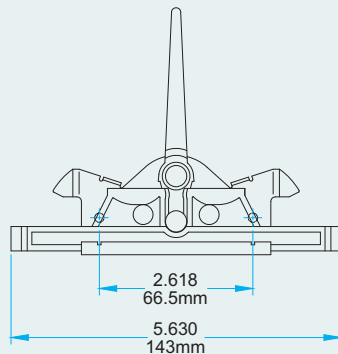
Keepers 190494(RH) 190495(LH)
Right Hand Shown



Handle and Escutcheon 132-524-2



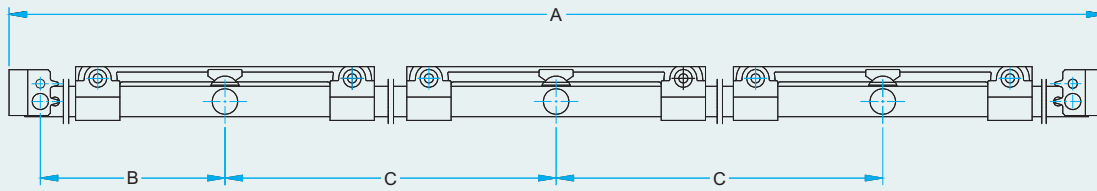
Lock Drive Assembly 132-524-1



LOCKING HANDLE

Wood Window Multi & Single Point Locking System

Tie Bar Assembly Chart

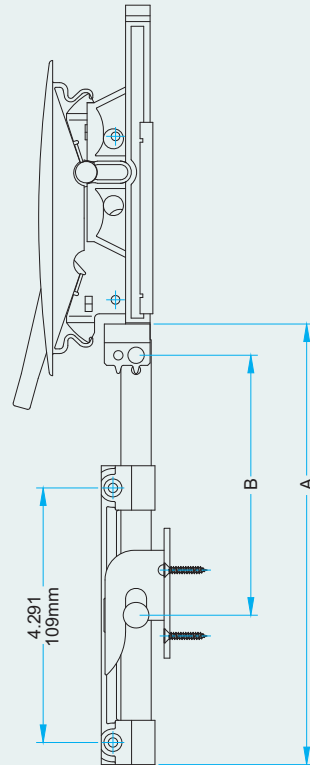


Tie Bar Assemblies

Part Number	Lock Points	"A"	"B"	"C"
19203-58.58-3	3	1487.9mm[58.58"]	111.3mm[4.382"]	619.2mm[24.378"]
19203-52.58-3	3	1335.5mm[52.58"]	111.3mm[4.382"]	543.0mm[21.378"]
19203-46.58-3	3	1183.1mm[46.58"]	111.3mm[4.382"]	466.8mm[18.378"]
19203-46.58-2	2	1183.1mm[46.58"]	111.3mm[4.382"]	
19203-40.58-3	3	1030.7mm[40.58"]	111.3mm[4.382"]	390.6mm[15.378"]
19203-40.58-2	2	1030.7mm[40.58"]	111.3mm[4.382"]	
19203-34.58-2	2	878.3mm[34.58"]	111.3mm[4.382"]	
19203-28.58-2	2	725.9mm[28.58"]	111.3mm[4.382"]	
19203-22.58-2	2	573.5mm[22.58"]	111.3mm[4.382"]	
19203-16.58-2	2	421.1mm[16.58"]	111.3mm[4.382"]	
19203-10.58-2	2	268.7mm[10.58"]	111.3mm[4.382"]	

Awning Application with Flange Keeper

Left Hand Shown



Tie Bar Assemblies

Part Number	Lock Points	"A"	"B"
19203-7043-1	1	188.7mm[7.429"]	111.3mm[4.382"]