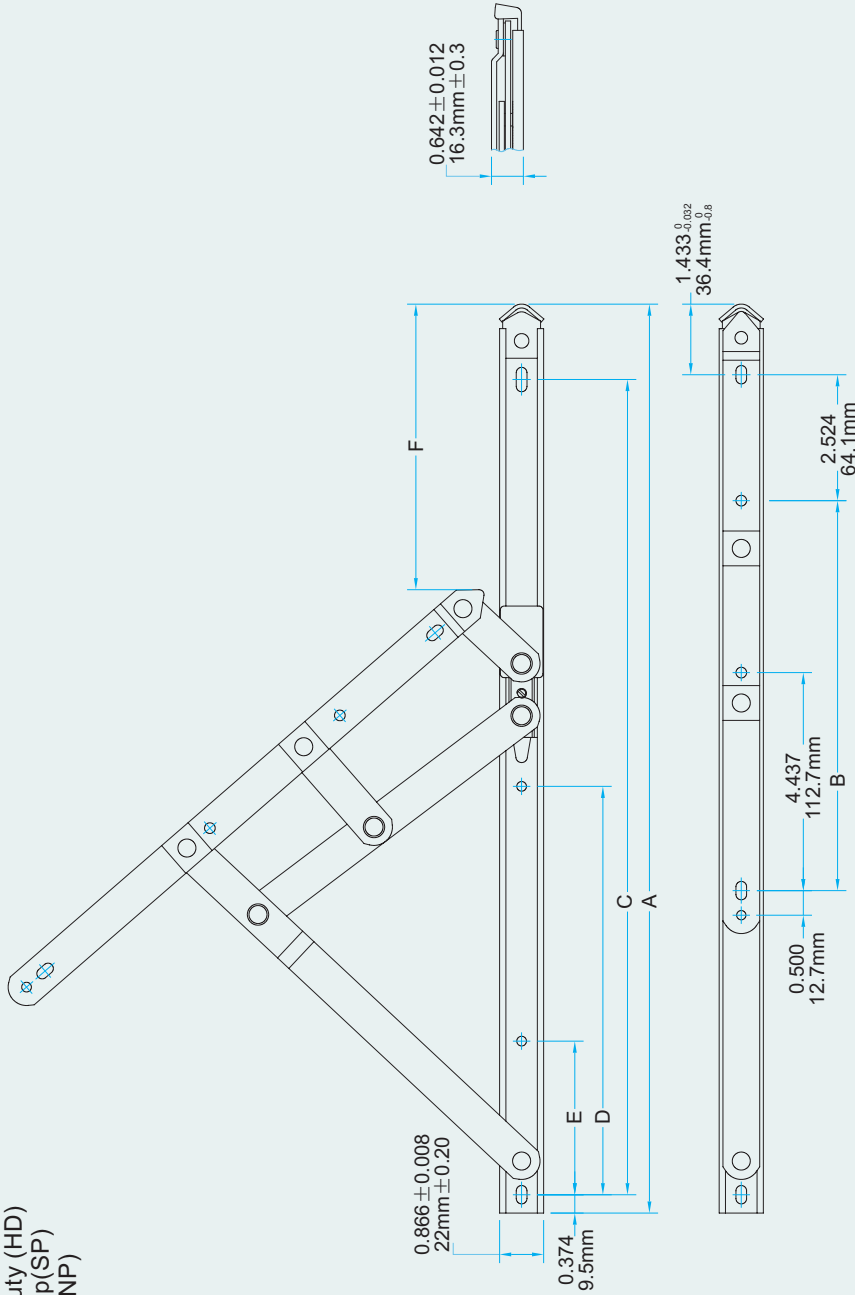


Super Heavy Duty 5-Bar Hinges (015SS Series)

NOTE:

1. 77018—Stainless steel material and hinge, length (18")
2. 015—4-bar hinge series
3. HD—Heavy duty (HD)
4. SP—STD. stop(SP)
5. NP—No stop(NP)



Part Number	F										Degree of Opening				
	STD. STOP	NO STOP	HINGE LENGTH	A	B	C	STD. STOP D	NO STOP D	NO STOP E	STD. STOP	NO STOP	STD. STOP	NO STOP	LOOSE RIVETS	CASEMENT DRAWING
77018-015HD-SP			18" (457.2mm)	18.5" (469.9mm)	7.938 (201.6mm)	16.591 (421.4mm)	8.312 (211.1mm)	3.125 (79.3mm)	5.951 (147.7mm)	12.252 (311.2mm)	49°	77°	100		Casement Hinge
77020-015HD-SP			20" (508.0mm)	20.5" (520.7mm)	8.938 (227.0mm)	18.591 (472.2mm)	9.625 (244.4mm)	3.625 (92.0mm)	6.508 (165.3mm)	13.811 (350.8mm)	49°	77°	100		Casement Hinge
77024-015HD-SP			24" (609.6mm)	24.5" (622.3mm)	10.938 (277.8mm)	22.591 (573.8mm)	13.500 (342.9mm)	4.625 (117.4mm)	6.516 (165.5mm)	16.732 (425.0mm)	45°	77°	100		Casement Hinge
77028-015HD-SP			28" (711.2mm)	28.5" (723.9mm)	12.938 (335.0mm)	26.591 (675.4mm)	17.000 (431.8mm)	N/A	6.972 (177.1mm)	N/A	40°	N/A	100		Casement Hinge