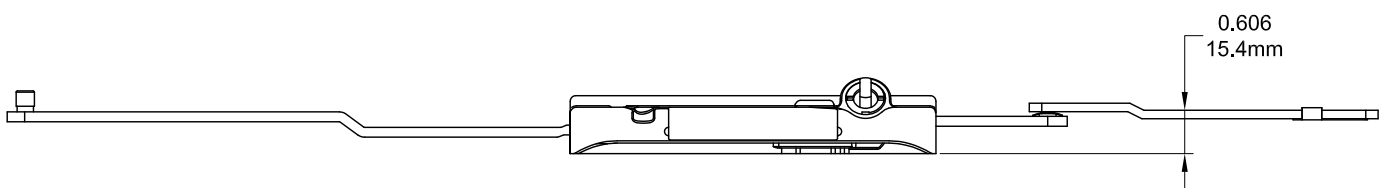
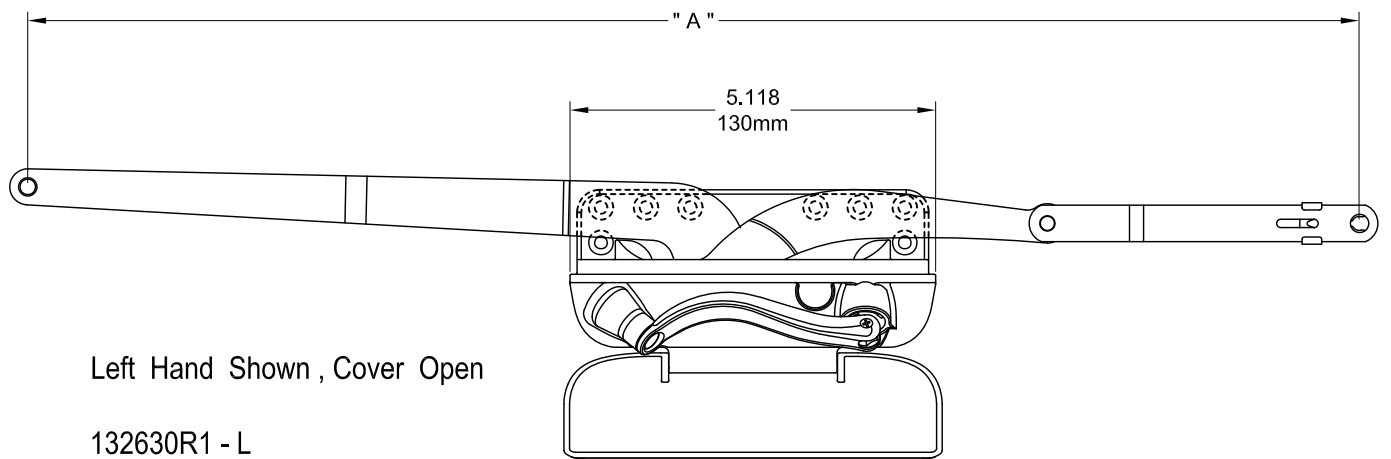
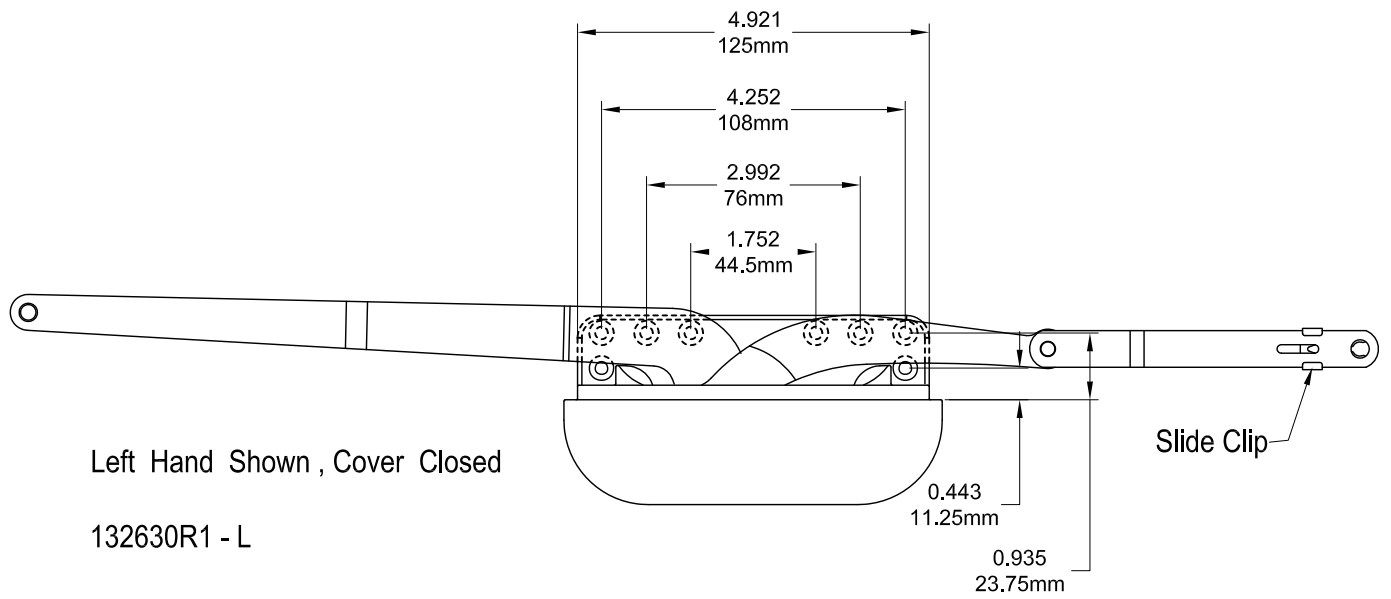
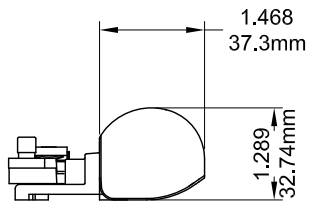
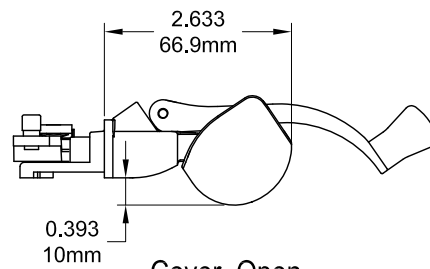


Eclipse Dual Arm Operator (Sill Mount)

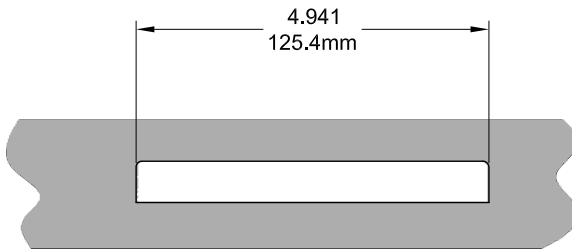




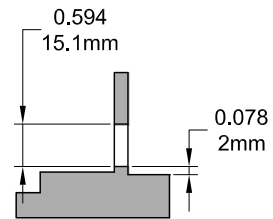
Cover Closed



Cover Open

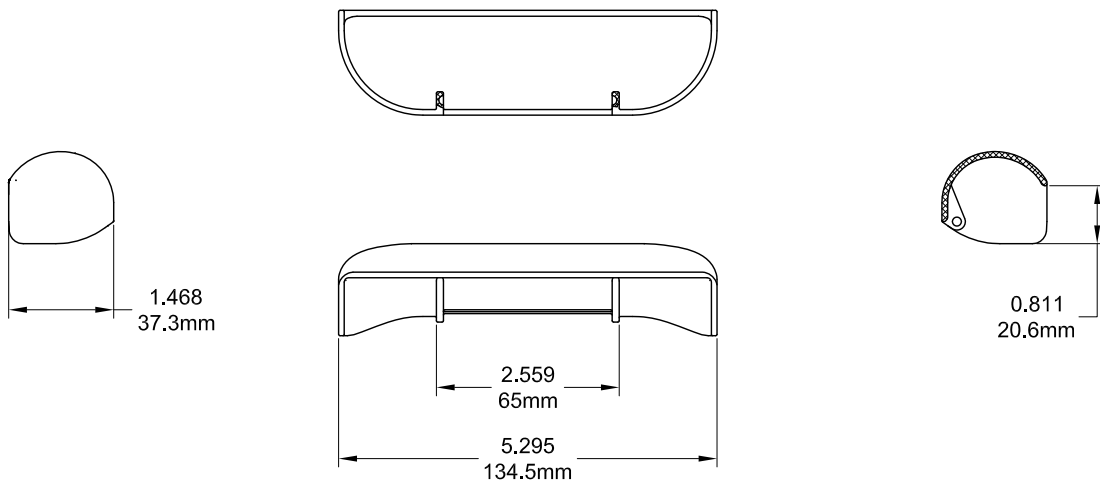


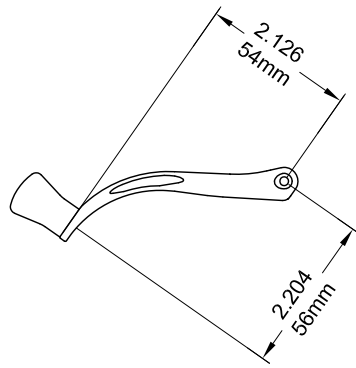
Profile Cut Out



Product Name	Part Number	" A "
Eclipse Dual Arm Operator , LH	132630R1 - L	18.834"
Eclipse Dual Arm Operator , RH	132630R1 - R	18.834"
Eclipse Short Arm Dual Arm Operator , LH	132630SR1 - L	15.945"
Eclipse Short Arm Dual Arm Operator , RH	132630SR1 - R	15.945"

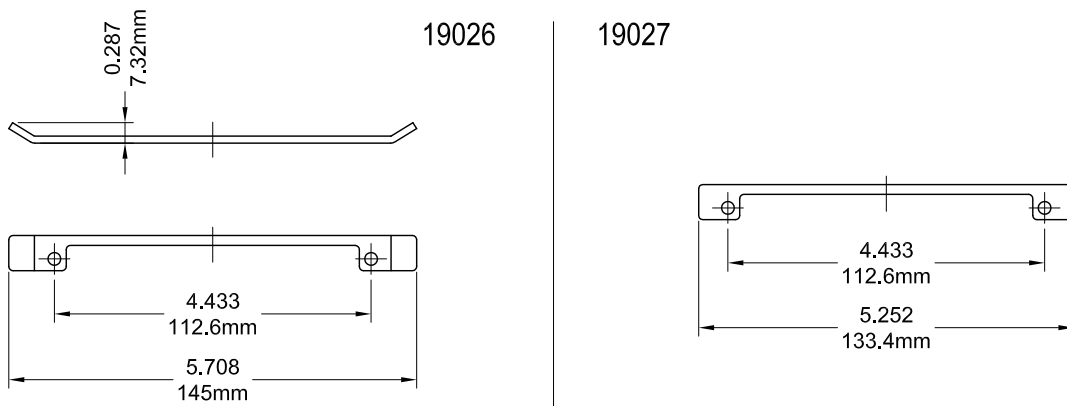
Eclipse Handle/Cover



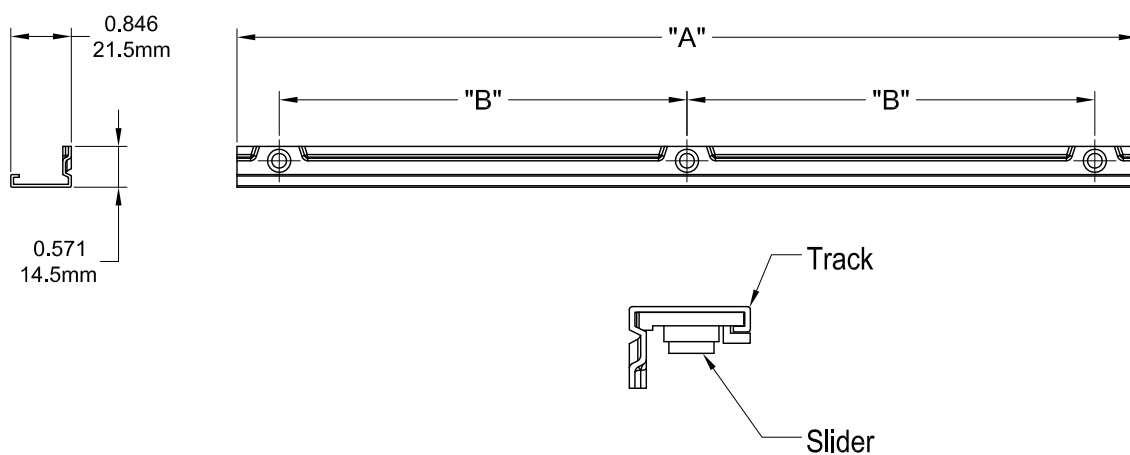


Left hand shown

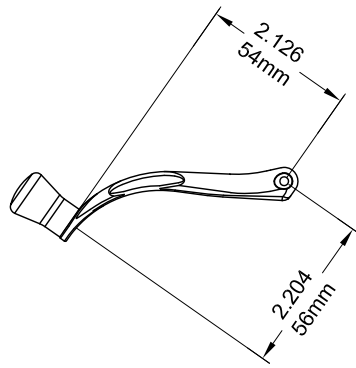
Back Plate



Track

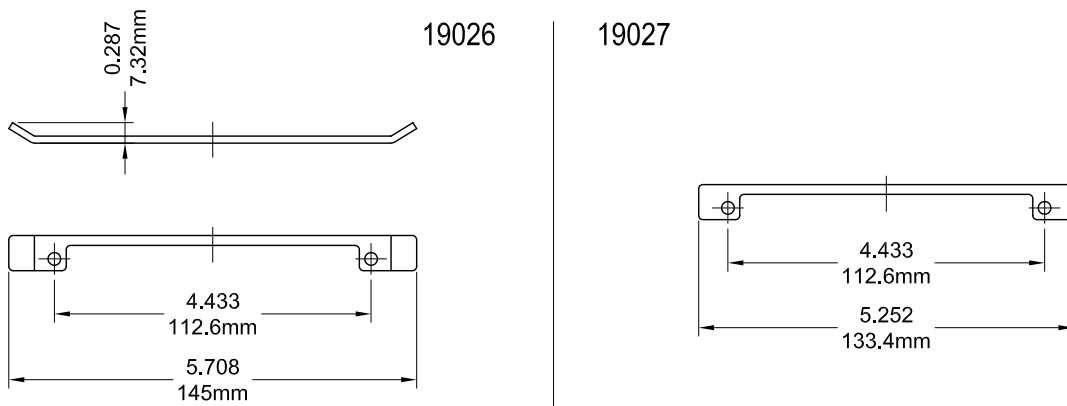


Dual Arm Operator Track 3 Holes			
Part Number	" A "	" B "	Material
70051R1	14.449"	6.496"	SST
190051R1	14.449"	6.496"	Steel
70052R1	12.598"	5.708"	SST
190052R1	12.598"	5.708"	Steel

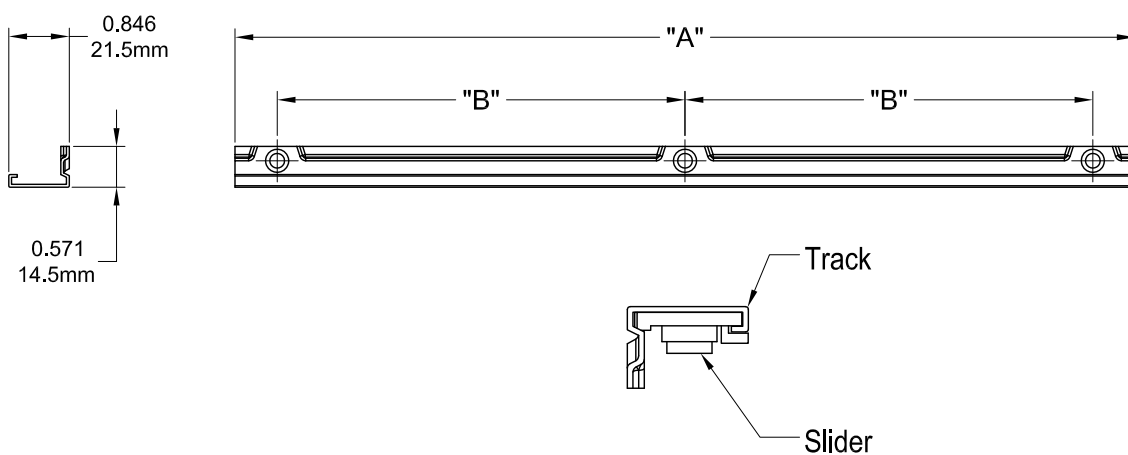


Left hand shown

Back Plate

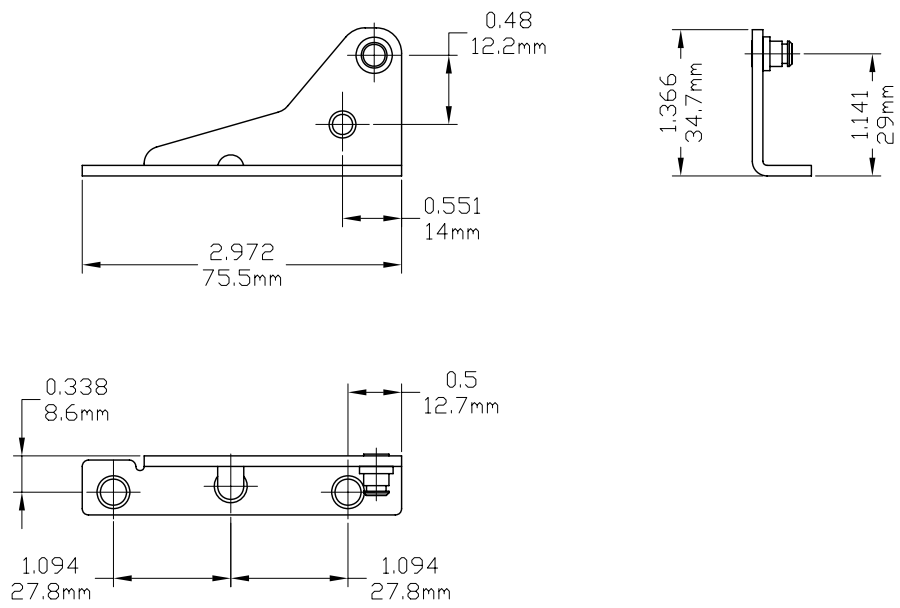


Track



Dual Arm Operator Track 3 Holes			
Part Number	" A "	" B "	Material
70051R1	14.449"	6.496"	SST
190051R1	14.449"	6.496"	Steel
70052R1	12.598"	5.708"	SST
190052R1	12.598"	5.708"	Steel

Stud Bracket (Right Hand Shown)



Part Number	Material	Hand
70455	SST	RH
70456	SST	LH
190455	Steel	RH
190456	Steel	LH